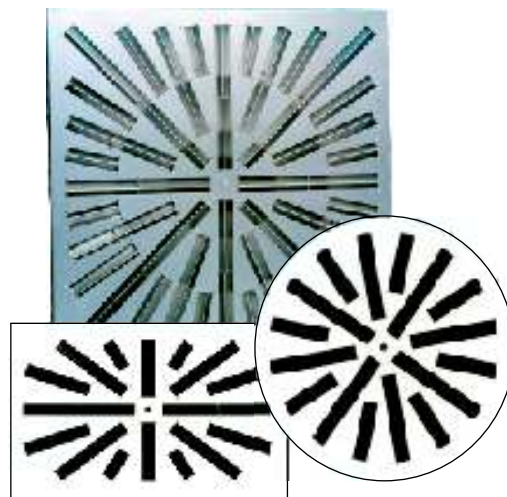


INDEX

	pages
- General	Gr1
- Air throw possibilities	Gr2
- Dimensions GR-AA	Gr3
- Dimensions GR-AR	Gr4
- Dimensions GR-AA/A	Gr5
- Dimensions GR-AR/A	Gr6
- Dimensions GR-RR	Gr7
- Dimensions GR-B	Gr8
- Grille selection example	Gr9
- Performances	Gr10-GR15
- Order guidelines / technical description	Gr16



GENERAL

Ceiling air diffusers of type GR use is highly appropriate for ventilating spaces with high standards for comfort, where several different combinations are requested for air supply and return. The special characteristic of series GR diffusers is their ability to manipulate the air throw direction by simply adjusting the position of the blades, either manually or by means of a servomotor.

This series of diffusers may be used effectively in applications of varying air volume, since they are able to retain the shape and morphology of the air jet for large air supply variations. Moreover, the pressure requirements and noise level resulting by the diffuser operation remain practically unchanged for any blade positioning configuration, thus providing stable operation to the ventilation system.

GR series diffusers are manufactured in a variety of types, in order to be easily adopted and integrated with the aesthetics and architectural design directions of any space.

For easier control they may be equipped with a flow measuring device, allowing for the fast adjustment of the flow regulating damper to the desired air flow rate. All flow regulating equipment may easily be removed for maintenance.

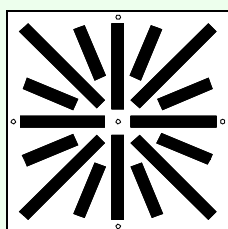
GR series diffusers advantages are summarized below :

- Blade control possibility after installation, both manually and automatically (servomotor).
- Required pressure and resulting noise level are independent of blade positioning.
- Large mixture coefficients resulting in an appropriate mixture of ventilation and room air.
- Stable air jet morphology even for large air flow variations.

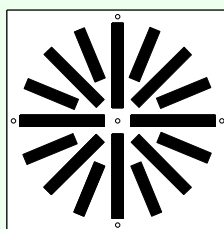
Possibility of coupling with flow measuring and control device.

GR SERIES DIFFUSERS

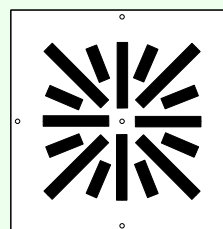
GR-AA



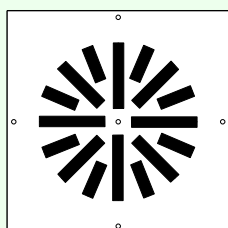
GR-AR



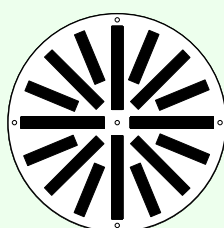
GR-AA/A



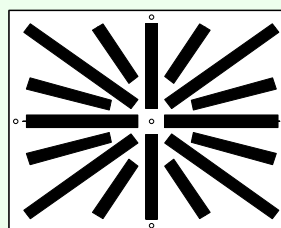
GR-AR/A



GR-RR



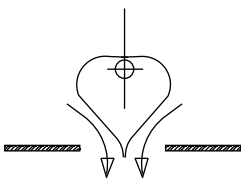
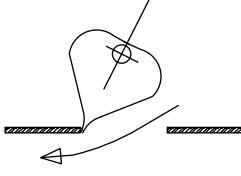
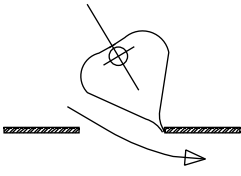



GR-B



Due to continuous development of its products, AERGRAMMI reserves the right of modifications without prior notice.

Blade positioning

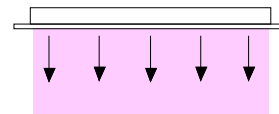
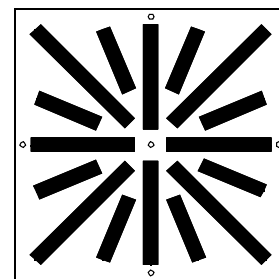
Series GR diffusers have the possibility to control the air jet morphology, after their installation, for covering heating warm air supply- or cooling cold air supply- needs. The main air throw possibilities are presented in the following figure :

Blade positioning			
Symbol			
Position	1	2	3

Throw type A.

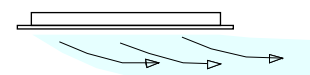
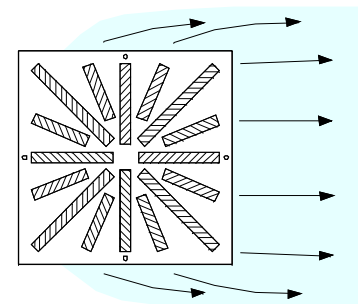
All blades are set to position 1 see figure-. The air throw direction is vertical to the ceiling. This throw type results to the largest air throw for as certain flow rate. This throw type is used mainly for heating applications where there is a need for large air throws serving the lower space regions-.

Several other throw types may result by setting some of the blades in position 1 and others in position 2, or intermediate positions. In this way shorter air throws with larger jet span may be achieved.



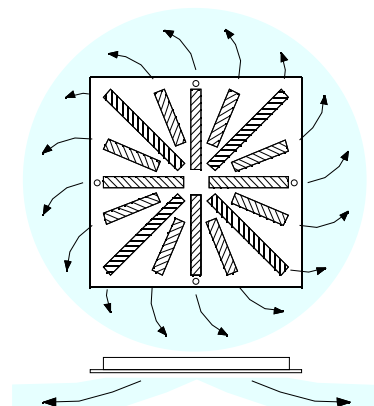
Throw type B.

Half of the blades are set to position 2 and the rest to position 3 see figure-. In this way air is thrown towards a certain direction parallel to the ceiling.

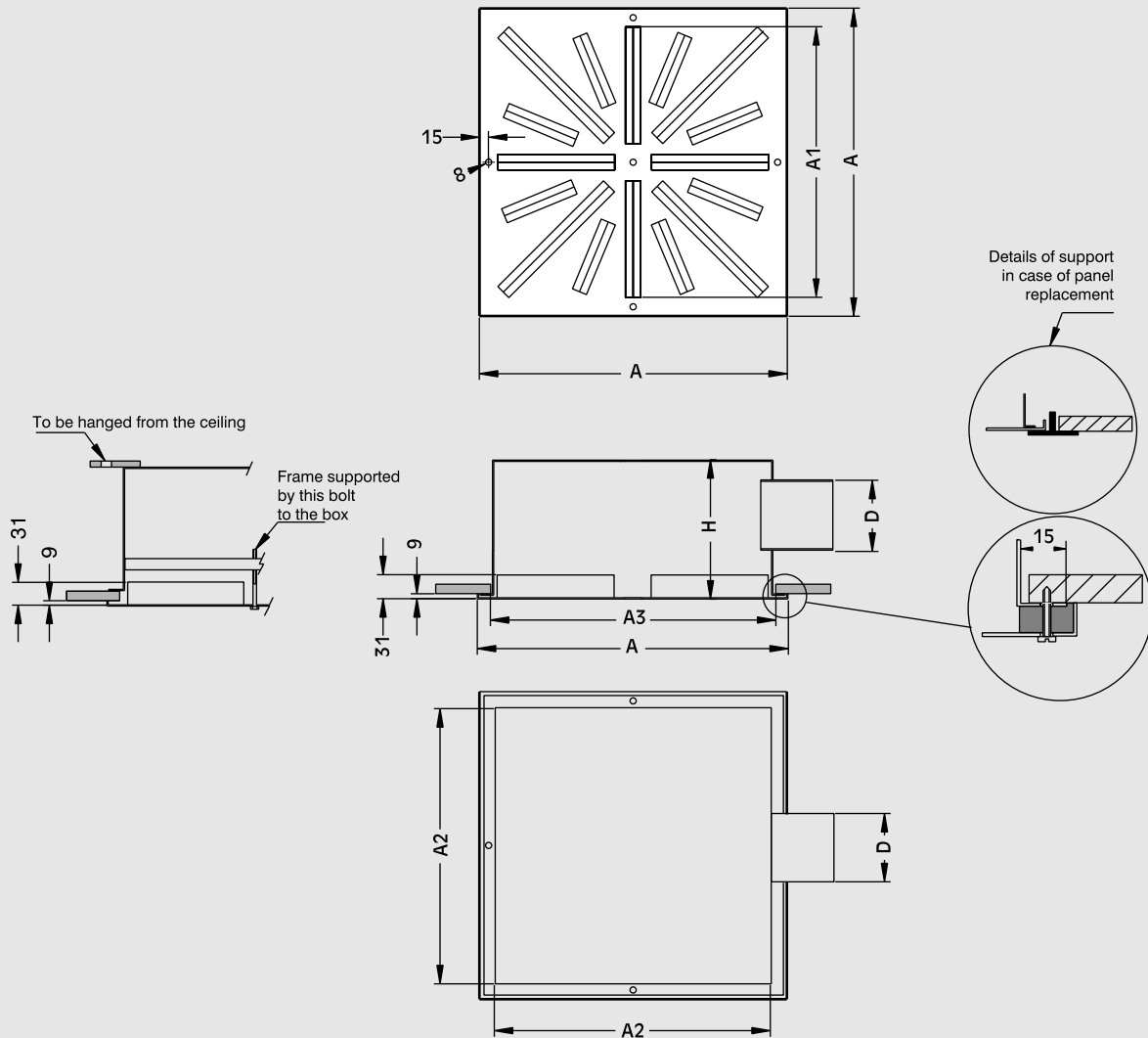


Throw type C.

All blades are set to position 2 see figure-. The air is thrown in a rotating sense parallel to the ceiling. This throw type is mainly used for cooling applications, avoiding the direct cold downwards air streams, in case there are no colliding air jets see selection example-.



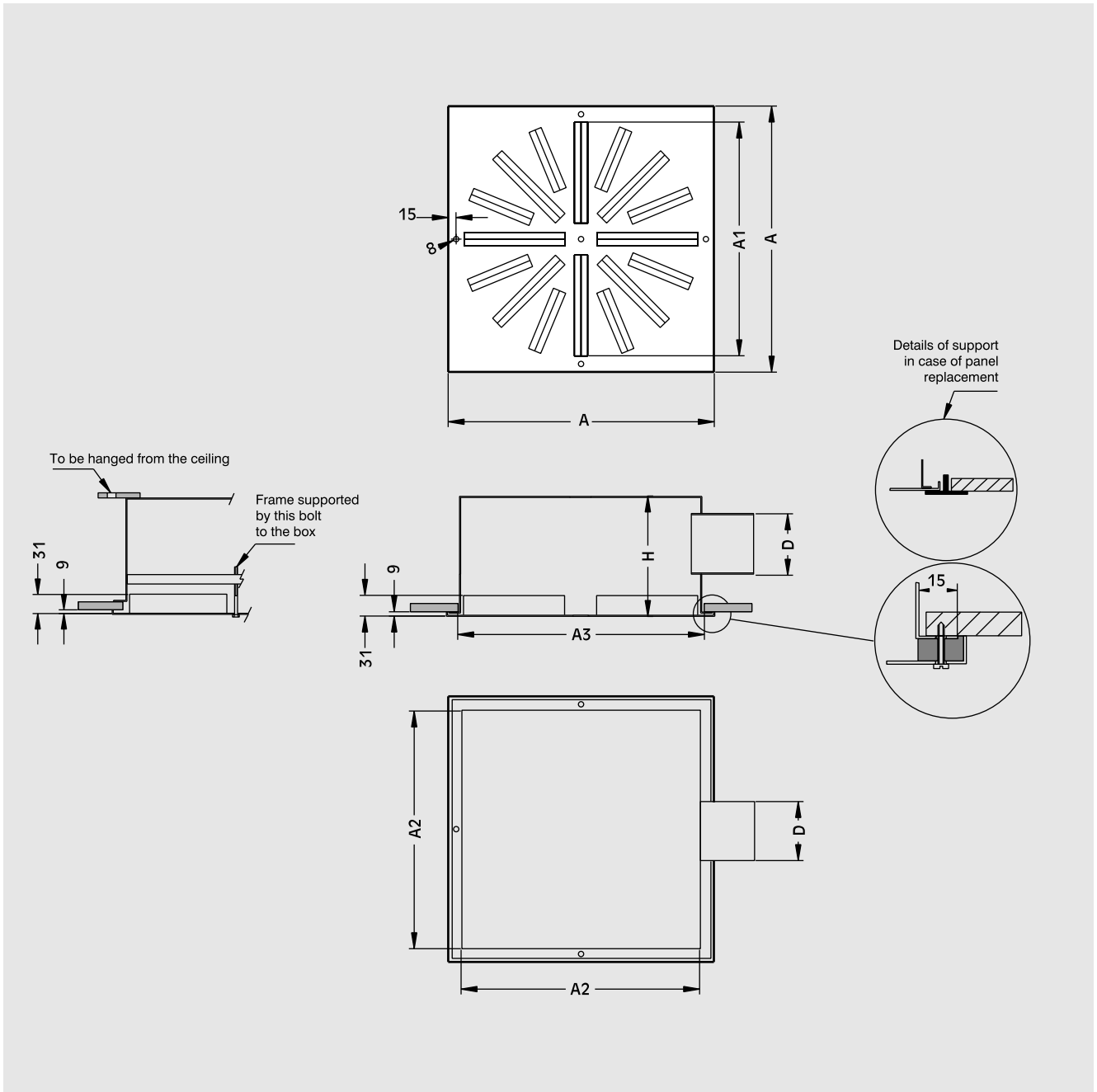
Due to continuous development of its products, AERGRAMMI reserves the right of modifications without prior notice.



GR-AA DIMENSION TABLE

TYPE	A	A1	A2	A3	H	D
GR-AA300	340	278	295	300	260	Φ 160
GR-AA400	440	378	395	400	260	Φ 160
GR-AA500	540	478	495	500	300	Φ 200
GR-AA600	596	534	555	570	350	Φ 250
GR-AA700	740	679	695	700	400	Φ 300
GR-AA800	840	778	795	800	450	Φ 350

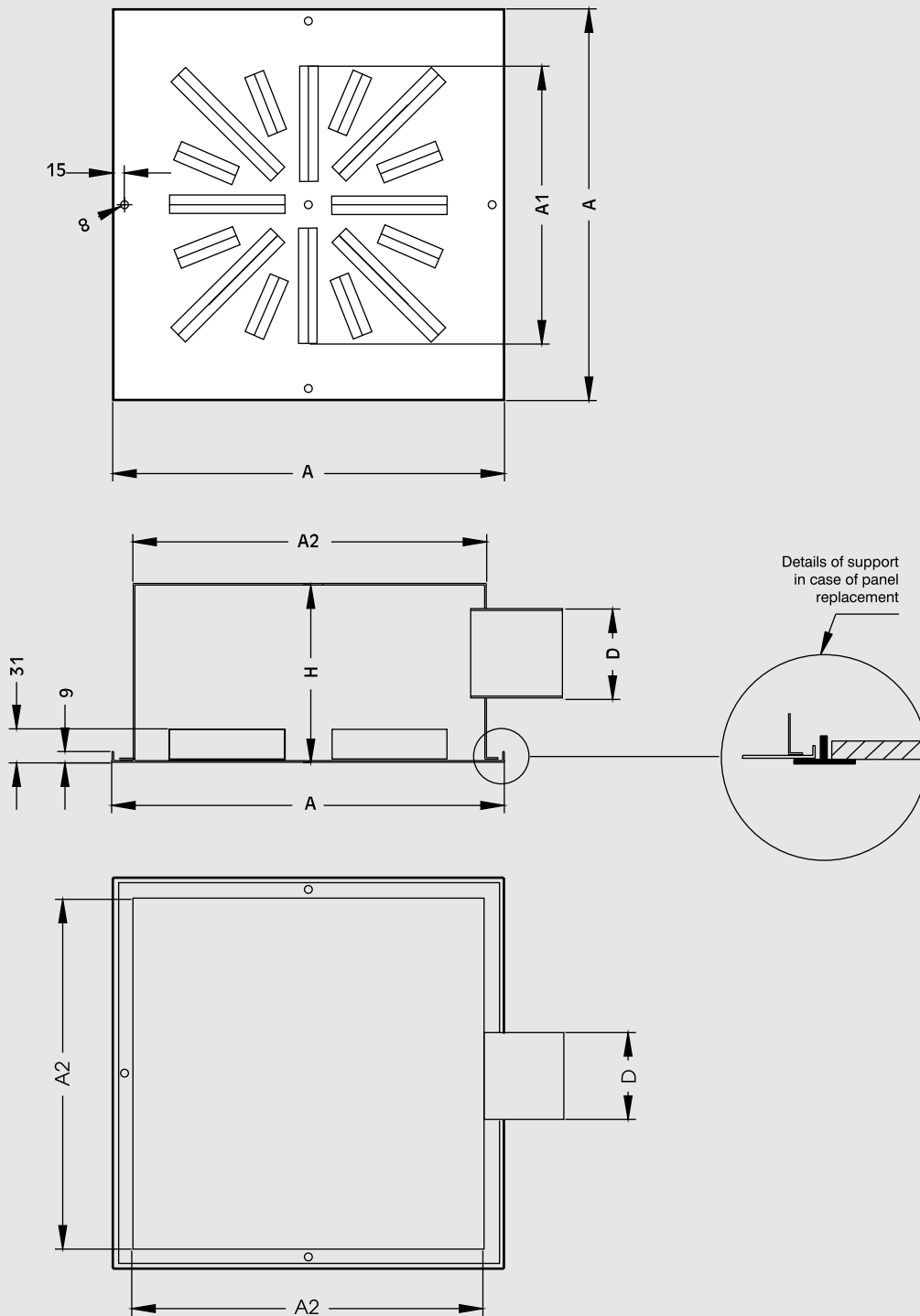
Due to continuous development of its products, AERGRAMMI reserves the right of modifications without prior notice.



GR-AR DIMENSION TABLE

TYPE	A	A1	A2	A3	H	D
GR-AR300	340	278	295	300	260	Φ 160
GR-AR400	440	378	395	400	260	Φ 160
GR-AR500	540	478	495	500	300	Φ 200
GR-AR600	596	534	555	570	350	Φ 250
GR-AR700	740	678	695	700	400	Φ 300
GR-AR800	840	778	795	800	450	Φ 350

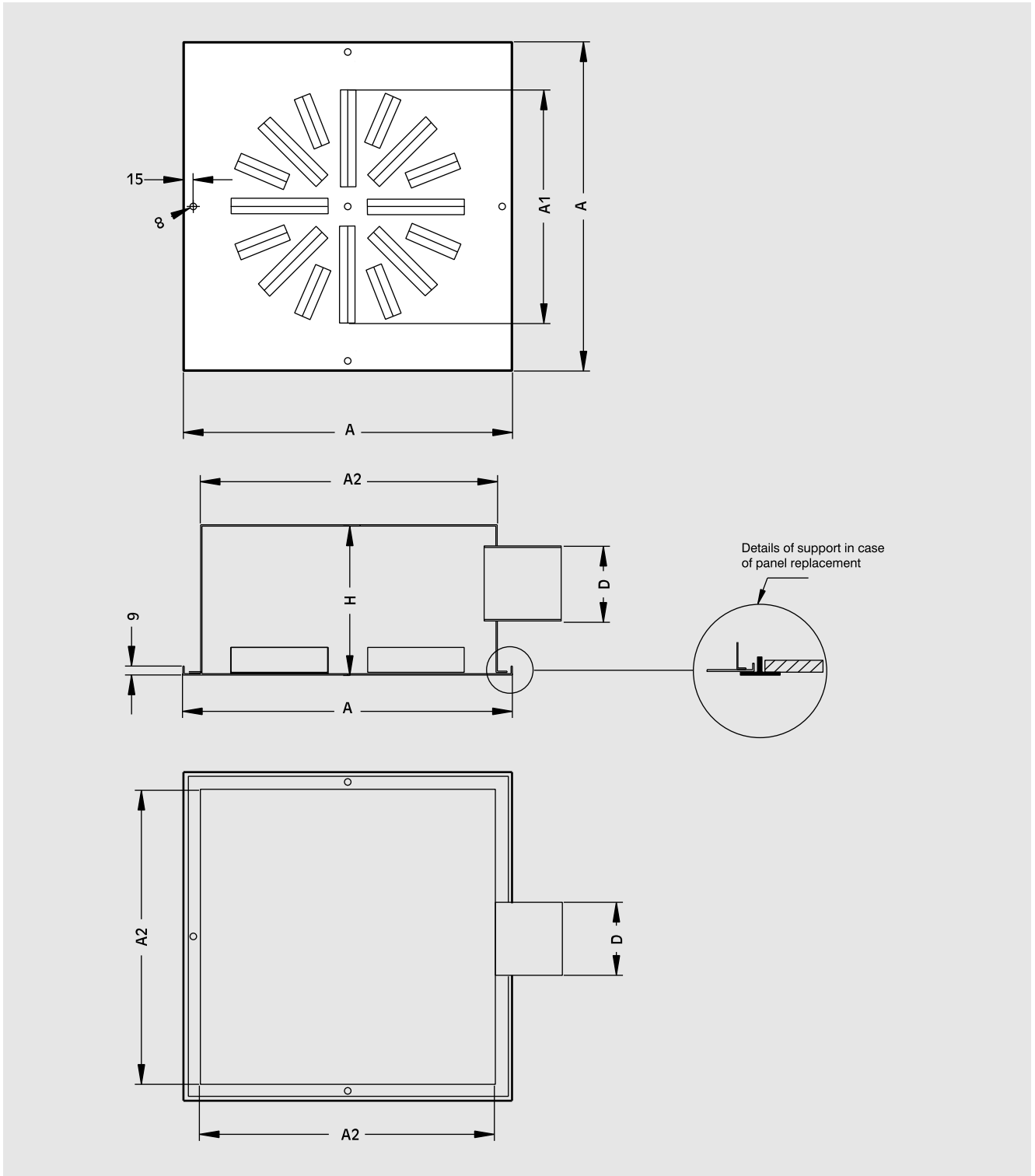
Due to continuous development of its products, AEROGRAMMI reserves the right of modifications without prior notice.



GR-AA/A DIMENSION TABLE

TYPE	A	A1	A2	A3	H	D
GR-AA-A-300	596	278	300	-	260	Φ160
GR-AA-A-400	596	378	400	-	269	Φ160
GR-AA-A-500	596	478	500	-	300	Φ200

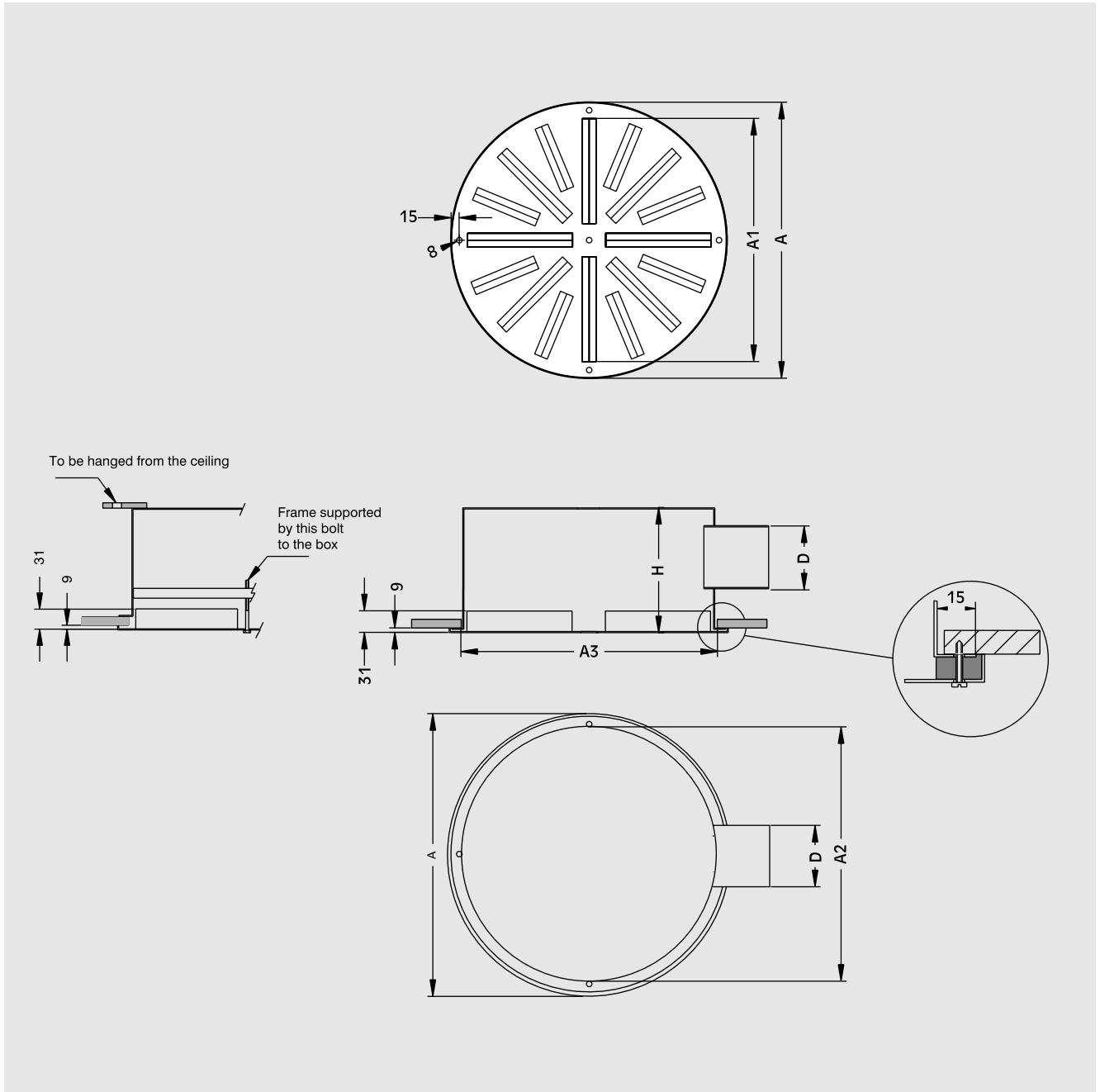
Due to continuous development of its products, AERGRAMMI reserves the right of modifications without prior notice.



DIMENSION TABLE GR-AR/A

TYPE	A	A1	A2	A3	H	D
GR-AR-A-300	596	278	300	-	260	Φ 160
GR-AR-A-400	596	378	400	-	269	Φ 160
GR-AR-A-500	596	478	500	-	300	Φ 200

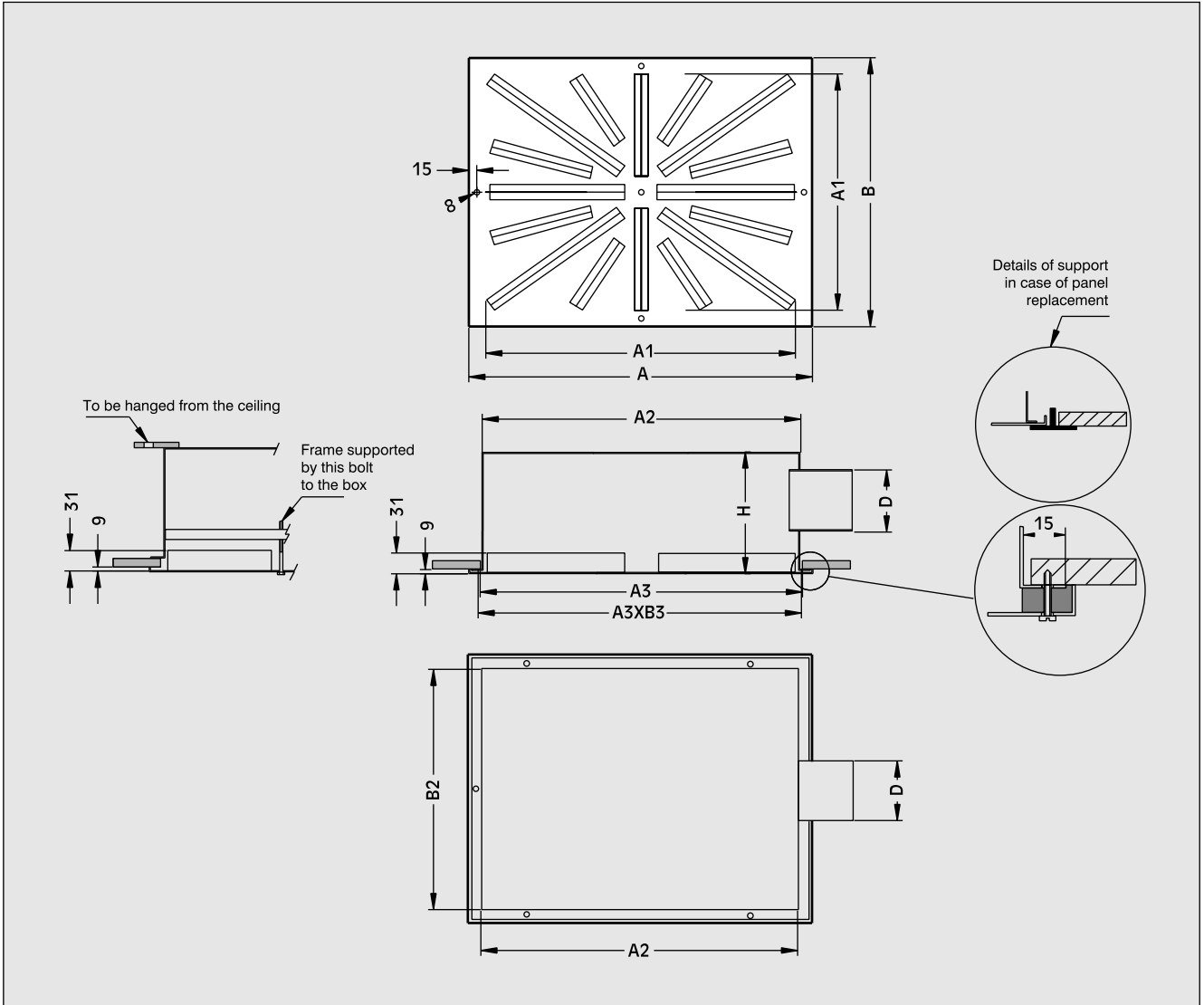
Due to continuous development of its products, AERGRAMMI reserves the right of modifications without prior notice.



DIMENSION TABLE GR-RR

TYPE	A	A1	A2	A3	H	D
GR-RR-300	340	278	295	300	260	Φ 160
GR-RR-400	440	378	395	400	260	Φ 160
GR-RR-500	540	478	495	500	300	Φ 200
GR-RR-600	596	534	555	570	350	Φ 250

Due to continuous development of its products, AEROGRAMMI reserves the right of modifications without prior notice.



GR-B DIMENSION TABLE

TYPE	A	B	A1	B1	A2	B2	A3	B3	H	D
GR400X250	440	290	378	228	395	245	400	250	260	Φ 160
GR400X300	440	340	378	278	395	295	400	300	260	Φ 160
GR400X350	440	390	378	328	395	345	400	350	260	Φ 160
GR500X250	540	290	478	228	495	245	500	250	300	Φ 200
GR0500X300	540	340	478	278	495	295	500	300	300	Φ 200
GR500X350	540	390	478	328	495	345	500	350	300	Φ 200
GR600X250	596	290	534	228	555	245	560	250	350	Φ 250
GR600X300	596	340	534	278	555	295	560	300	350	Φ 251
GR600X350	596	390	534	328	555	345	560	350	350	Φ 252
GR700X250	740	290	678	228	695	245	700	250	400	Φ 300
GR700X300	740	340	678	278	695	295	700	300	400	Φ 300
Gr700X350	740	390	678	328	695	345	700	350	400	Φ 300
GR800X250	840	290	778	228	795	245	800	250	450	Φ 350
GR800X300	840	340	778	278	795	295	800	300	450	Φ 350
GR800X350	840	390	778	328	795	345	800	350	450	Φ 350

Due to continuous development of its products, AERGRAMMI reserves the right of modifications without prior notice.